

# Truck Crane AK 36



## Technical Data

Permissible gross vehicle weight [t]	16
Max. payload [kg]	2,000 (opt. 4,000)
Max. extension length [m]	36 (opt. 37.9)
Working height up to jib [m]	25.2
Jib extendable [m]	5.2 - 10.9 (opt. 12.8)
Jib payload [kg]	2,000 - 800 (400)
Boom angle [degrees]	90
Jib angle [degrees]	180
Pivoting range [degrees]	endless
Hook speed [m/min]	45
Range for crane operation at 250 kg [m]	30.0 (opt. 31.9)
Range for crane operation at 500 kg [m]	29.0 (opt. 30.8 / 400 kg)
Range for crane operation at 1 t [m]	22.0
Range for crane operation at 2 t [m]	14.5
Range for crane operation at 3 t [m]	10.0
Range for crane operation at 4 t [m]	8.0
Range / Working height max. (m)	
with non-rotating basket 250 kg	32.2 / 37.1
with rotating basket 250 kg (PK 250-D)	31.2 / 37.4
with rotating basket 300 kg (PK 300-D)	27.4 / 37.2
Drive	PTO / 400 V hybrid




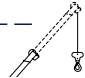


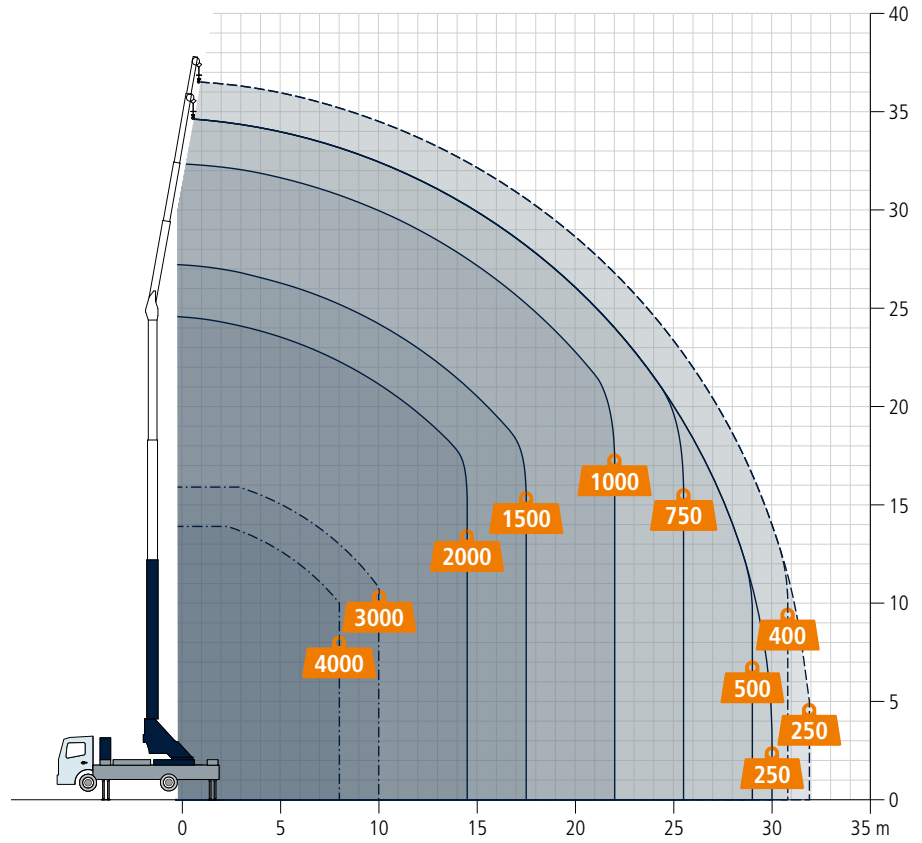
As the most compact crane of the new generation, the AK 36 combines a slim design with all the advantages of innovative mast geometry, a tremendous working speed and the latest control technology. When it comes to crane performance, the AK 36 makes no compromises. With extension lengths of up to 36 m (opt. 37.9 m), it handles all everyday lifting operations with ease, achieving an impressive 22 m reach at a height of 20 m with a suspended load of one tonne, for example. The hydraulic jib carries and extends up to 800 kg when fully extended - even at a right angle to the boom in the tower crane function or fully extended in a 180° position as straight boom extension. The compact vehicle dimensions and a short wheelbase of just 4.16 m make the truck crane extremely manoeuvrable in road traffic and on the construction site. Excellent vehicle handling means the crane can be easily and quickly manoeuvred to the best set-up area.

Available with **Böcker**Connect

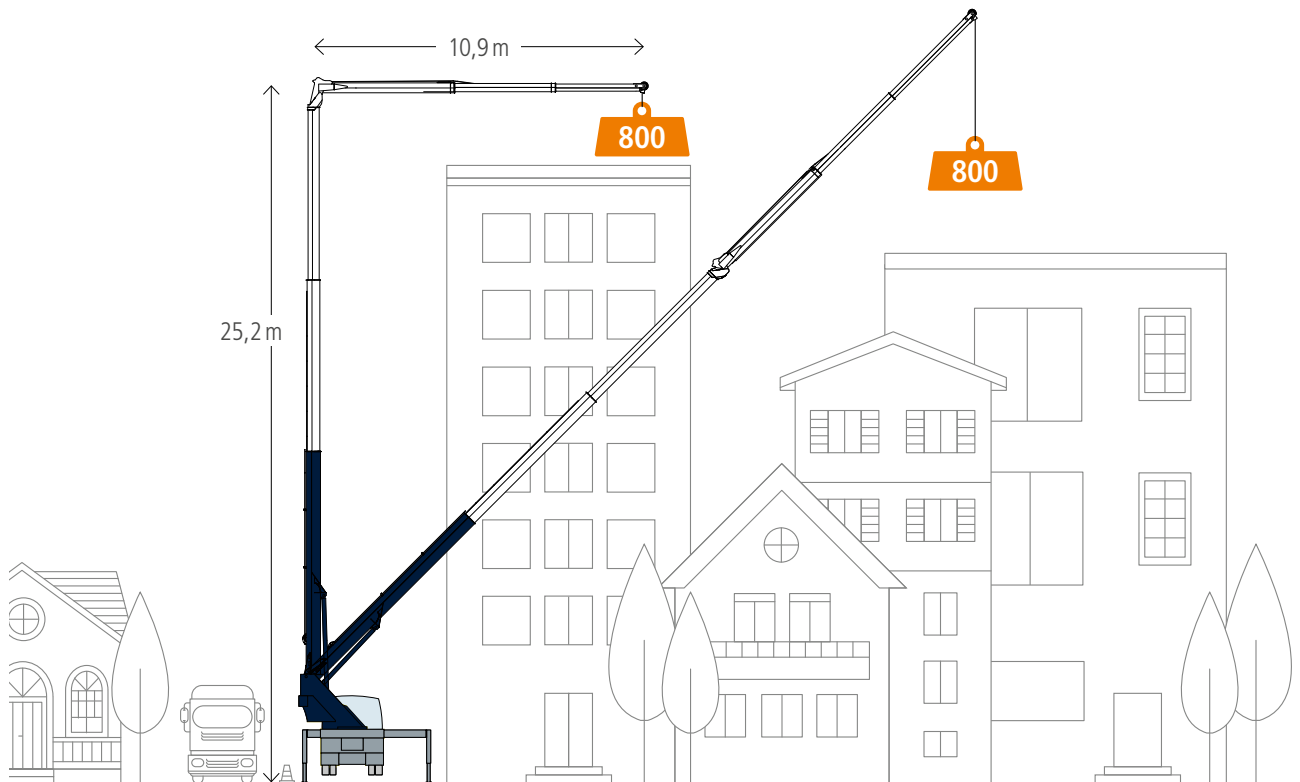
**Böcker**  
MY WAY TO THE TOP

## Working range crane operation

-  Load in kg
-  Single-fall operation
-  Two-fall operation
-  With jib-extension (2 m)

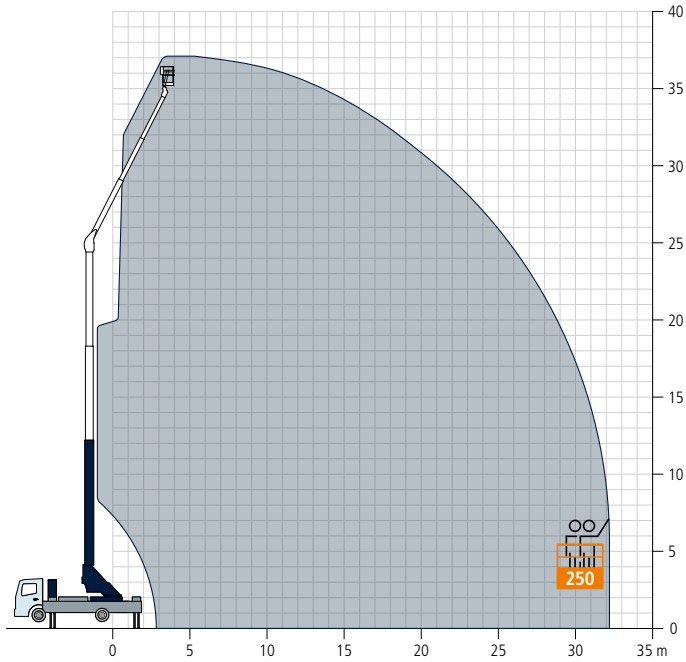


## Working range

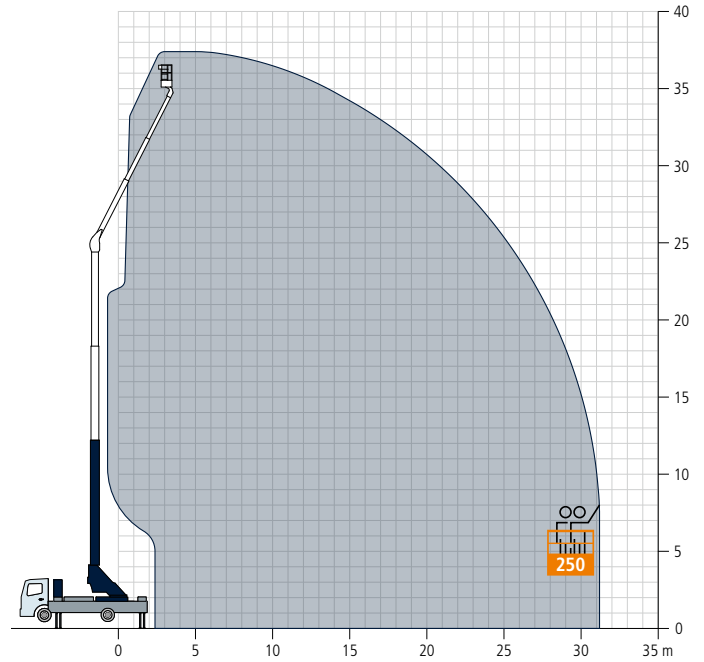


## Working range platform operation

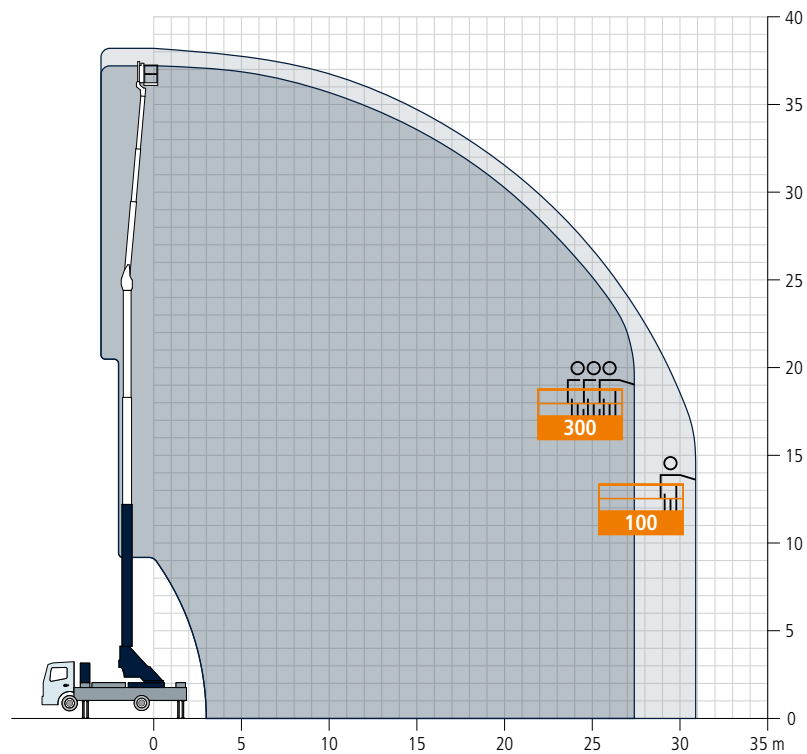
Non-rotating basket PK 250-1



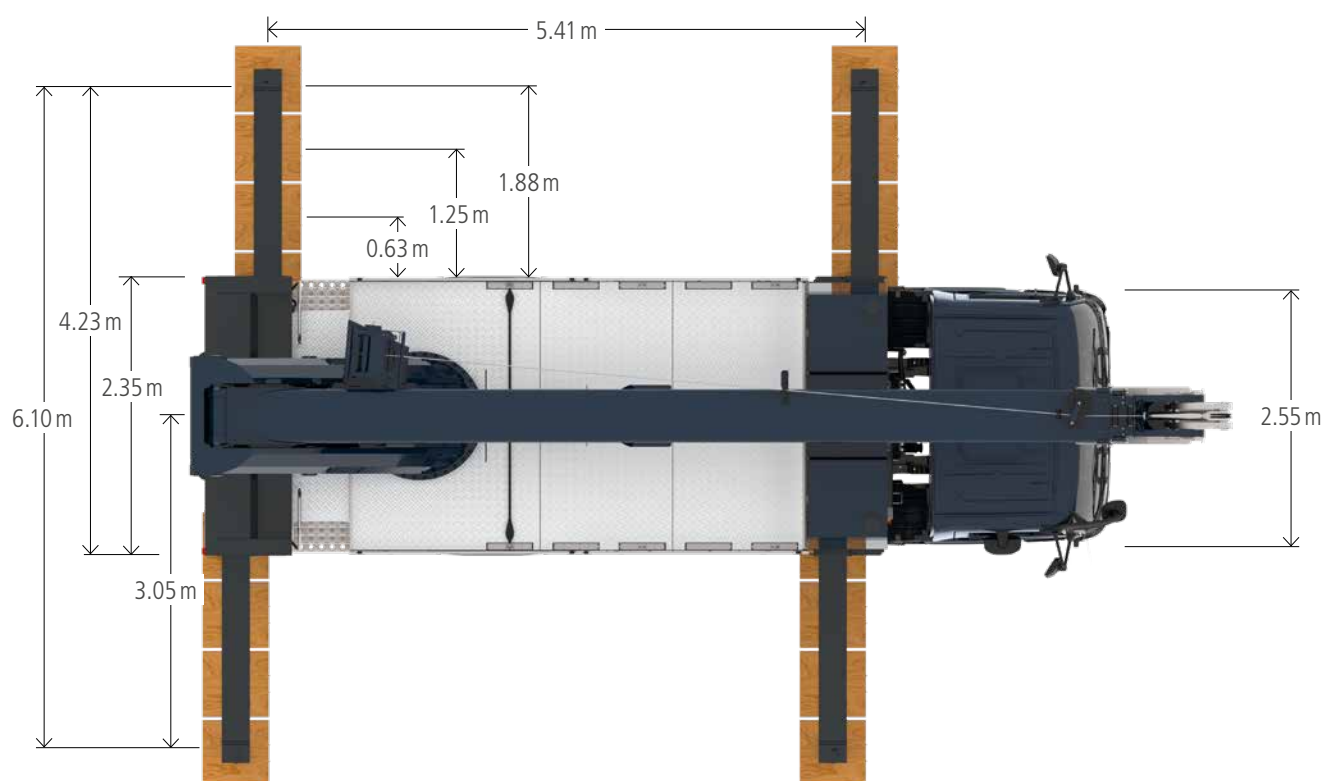
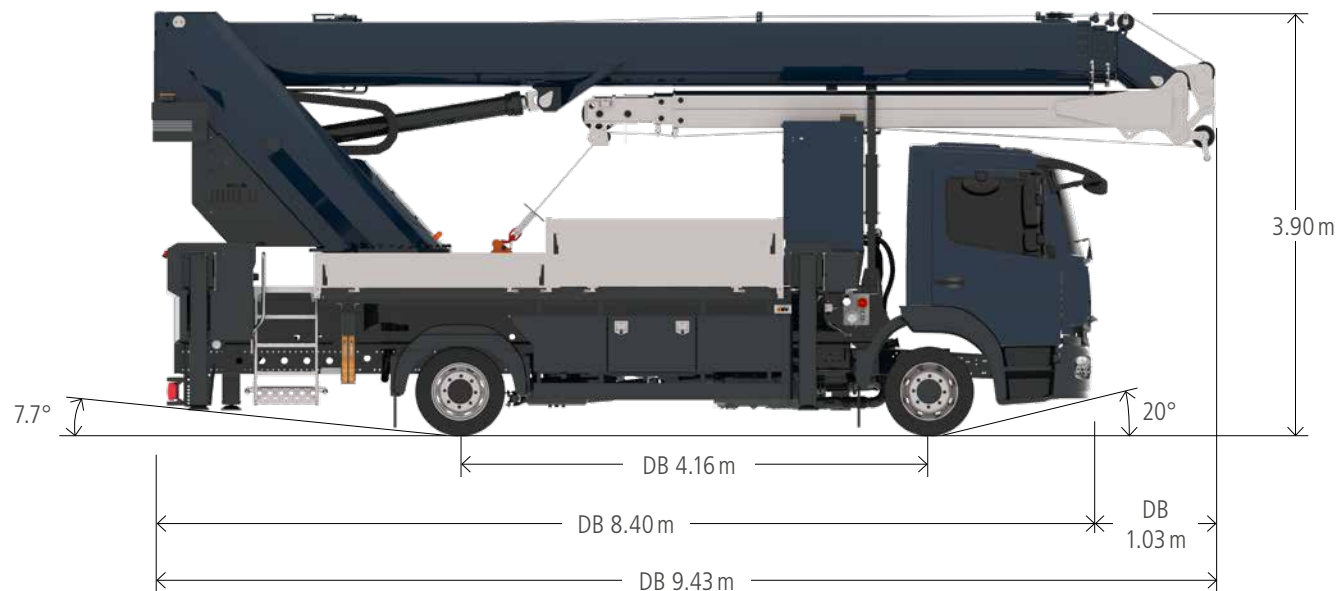
Rotating basket PK 250-D



Rotating basket PK 300-D



## Dimensions



# Boecker

[www.boecker.co.uk](http://www.boecker.co.uk)

### Boecker UK Limited

Unit B Grazebrook Industrial Park  
 Hulbert Drive, Dudley  
 West Midlands UK-DY2 0XW

Fon +44 1384 476580  
[info@boecker.co.uk](mailto:info@boecker.co.uk)